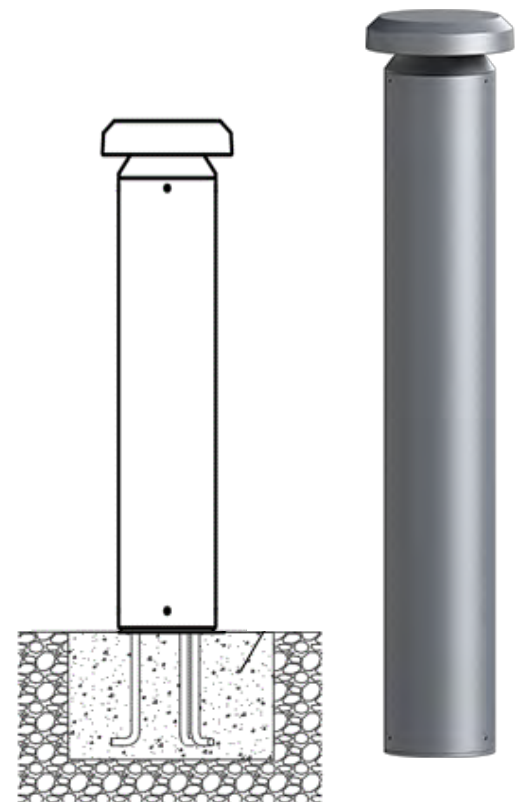




Astro Bollard Light

Technical Specification

- 360° Symmetric Beam
- CRI > 80
- PF > 0.95
- IK10 & IP66
- Soft Ambient Lighting
- Visual Comfort, No Glare
- Uniform Light Distribution
- Aluminium Casing
- 5 Year Warranty



LED

Type	Astro Bollard Light
Wattages	20W 40W
Lumens	1360lm 2400lm
Correlated Colour Temperature	4000K Standard. Other options available
Ingress Protection	IP66 & Water-proof
Impact Protection	IK10
Voltage	100-277 Vac
Optical Lens	UV Stabilized Polycarbonate
Dimensions	Post diameter 135mm, Top diameter 180mm, Height 900mm
Material	Extruded Aluminium Post & Die Cast Aluminium Upper Cover
Finishes	Powder Coat - Graphite Grey